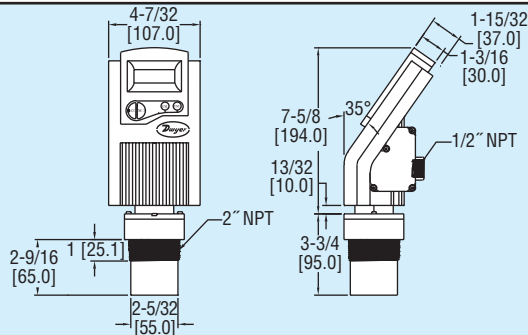




Series
ULB
&
ULL

Ultrasonic Level Transmitter

Integrated LCD Display, Automatic Temperature Compensation, Non-Contact Level Sensing



The Series ULB is a direct-install level transmitter designed for non-contact measurement of solid levels. The ULB utilizes ultrasonic technology paired with automatic temperature compensation to provide reliable and accurate measurements in virtually all conditions. Sophisticated algorithms are used to overcome acoustic interferences and false echoes. An integrated LCD screen and four push buttons allow for quick and easy programming on a simple menu structure. Diagnostic capabilities and a failsafe output signal make the ULB an essential choice in critical applications.

FEATURES

- Direct installation
- Integral LCD display
- High accuracy (0.25% of max. range)
- Automatic ambient temperature compensation

Model	Description	Max. Range
ULB-11	Bulk Solids	11.5 ft (3.5 m)
ULB-12	Bulk Solids	28 ft (8.5 m)
ULL-1KFN	Liquids	16.4 ft (5 m)
ULL-2KFN	Liquids	49.2 ft (15 m)

SPECIFICATIONS

Service: ULB: Bulk solids; ULL: Compatible liquids.

Wetted Materials: Sensor: Polypropylene; Acoustic window: ECTFE.

Ranges: ULB-11: .82 to 11.5 ft (0.25 to 3.5 m); ULB-12: 1.96 to 28 ft (0.6 to 8.5 m); ULL-1XXX: 0.82 to 16.4 ft (0.25 to 5 m); ULL-2XXX: 1.96 to 49.2 ft (0.6 to 15 m).

Accuracy: 0.25% of max. range (at 20°C).

Resolution: 0.04" (1 mm).

Blind Zone: ULB-11: 0.8" (.25 m); ULB-12: 1.96" (0.6 m); ULL-1XXX: 0.8" (0.25 m).

Beam Angle: 5° @ 3 db point.

Temperature Limits: -40 to 158°F (-40 to 70°C); ULL-2XXX: 1.96" (0.6 m).

Temperature Compensation: Automatic.

Pressure Limits: 13.5 to 30 psi (0.9 to 2 bar).

Power Requirement: 18 to 28 VDC.

Output Signal: 4 to 20 mA.

Loop Resistance: Max. 727 Ω @ 28 VDC.

Electrical Connections: Screw terminal.

Conduit Connection: 1/2" NPT, cable gland (optional).

Process Connection: 2" NPT, 2" BSP (optional).

Enclosure: Plastic enclosure: ABS & UV resistant body.

Enclosure Rating: NEMA 4 (IP65).

Mounting Orientation: Vertical.

Failsafe: 3 min delay before transmission of an error signal.

Memory: Non-volatile.

Display: 4 digit LCD.

Units: ft, m (optional).

Programming: 4 button.

Weight: 3.1 lb (1.4 kg).