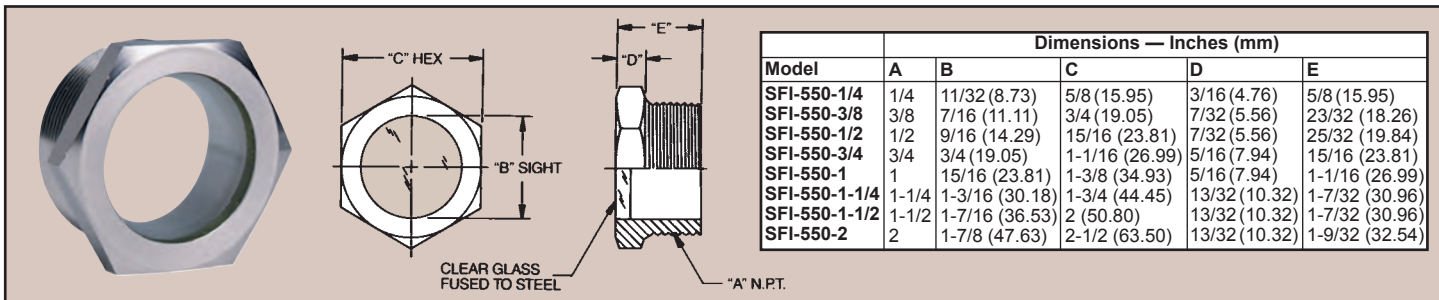




Series
550

Sight Window

Shows Level or Contents of Tanks, Pipelines; Fused Glass and Steel Construction



Model	Dimensions — Inches (mm)				
	A	B	C	D	E
SFI-550-1/4	1/4	11/32 (8.73)	5/8 (15.95)	3/16 (4.76)	5/8 (15.95)
SFI-550-3/8	3/8	7/16 (11.11)	3/4 (19.05)	7/32 (5.56)	23/32 (18.26)
SFI-550-1/2	1/2	9/16 (14.29)	15/16 (23.81)	7/32 (5.56)	25/32 (19.84)
SFI-550-3/4	3/4	3/4 (19.05)	1-1/16 (26.99)	5/16 (7.94)	15/16 (23.81)
SFI-550-1	1	15/16 (23.81)	1-3/8 (34.93)	5/16 (7.94)	1-1/16 (26.99)
SFI-550-1-1/4	1-1/4	1-3/16 (30.18)	1-3/4 (44.45)	13/32 (10.32)	1-7/32 (30.96)
SFI-550-1-1/2	1-1/2	1-7/16 (36.53)	2 (50.80)	13/32 (10.32)	1-7/32 (30.96)
SFI-550-2	2	1-7/8 (47.63)	2-1/2 (63.50)	13/32 (10.32)	1-9/32 (32.54)

Fused glass style sight windows feature glass to metal bond for utmost reliability. Plated steel bodies have convenient hex wrench surfaces. Connections are standard NPT in sizes from 1/4" to 2". Windows are clear, ripple free, and flush with the front face, having no recess on which dirt might collect.

APPLICATIONS

- Hydraulic tanks
- Pressure vessels
- Coolant tanks
- Hydraulic lines
- Oil reservoirs

Model	Model
SFI-550-1/4	SFI-550-1
SFI-550-3/8	SFI-550-1-1/4
SFI-550-1/2	SFI-550-1-1/2
SFI-550-3/4	SFI-550-2

SPECIFICATIONS

Service: Compatible gases and liquids.

Wetted Materials:

Window: Glass;

Body: Plated steel.

Temperature Limit: 200°F (93°C).

Pressure Limit: 125 psig (8.6 bar).

Connections: 1/4" to 2" male NPT.