

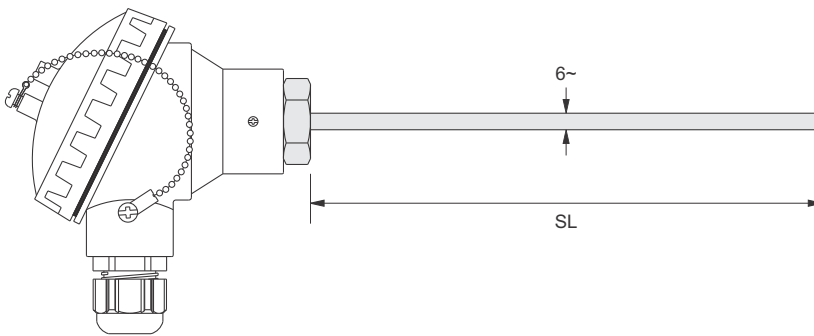
WITH TEFLON INSULATED OUTER SLEEVE

Specifically designed to measure temperatures in the highly corrosive environments of acids and alkalis. Capable of measuring temperatures of acids and alkalis upto 200°C.

- SS316 sheath with TEFLON protective sleeve
- Up to 200°C
- Available up to 2400mm length
- 6.5mm diameter
- Polypropylene head
- Polyamide gland, M20 x 1.5
- Bendable sheath

Teflon sleeve protects the sheath from corrosion in highly concentrated acids and alkalis. Since the assembly is made of bendable sheath and insulated using flexible sleeve, it can be bent at user level according to the mounting requirements.

MODEL : TAA530



PP HEAD

SPECIFICATIONS

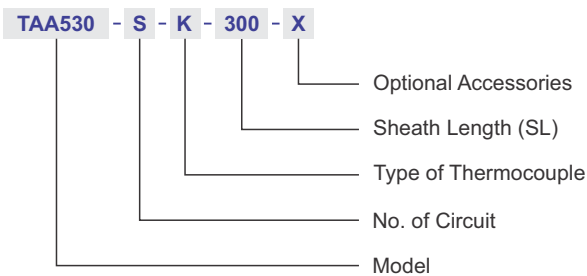
	TAA530
Element	J, K, T
Accuracy	Class 1
Range	-50 to 200°C
Insulation	Compact MgO
Hot junction	Grounded
Sheath material	SS316, Teflon Insulated
Sheath diameter (D)	6mm, overall
Sheath length (SL)	Upto 2400mm

TYPES OF THERMOCOUPLES

TABLE R1

CODE	CONNECTION
J	Iron / Constantan
K	Chromel / Alumel
T	Copper / Constantan

HOW TO ORDER



COLOUR CODE

TABLE R2

CODE	+VE	-VE
J	White	Red
K	Yellow	Red
T	Blue	Red

Use Suffix "D" in place of "S" for dual element

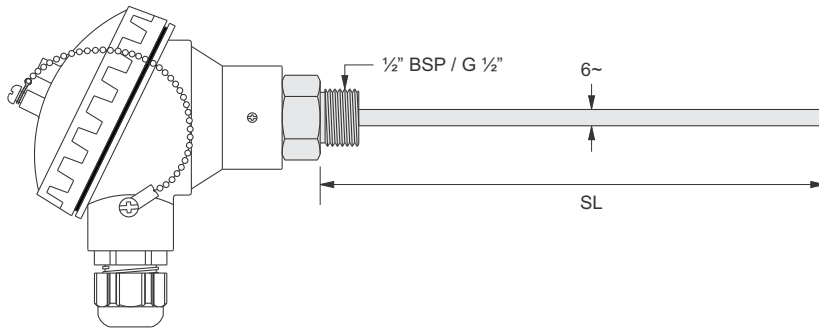
Optional Accessories* : Head mounted transmitters, cables etc. Specify separately

Abbreviations : SL - Sheath Length

All dimensions are in mm, unless otherwise specified.

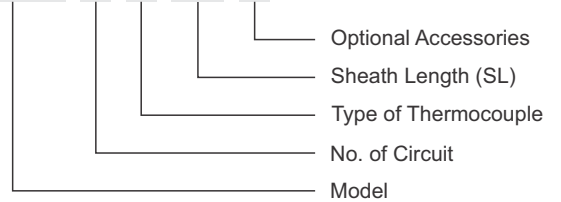
MODEL : TAA532

WITH HEX NIPPLE



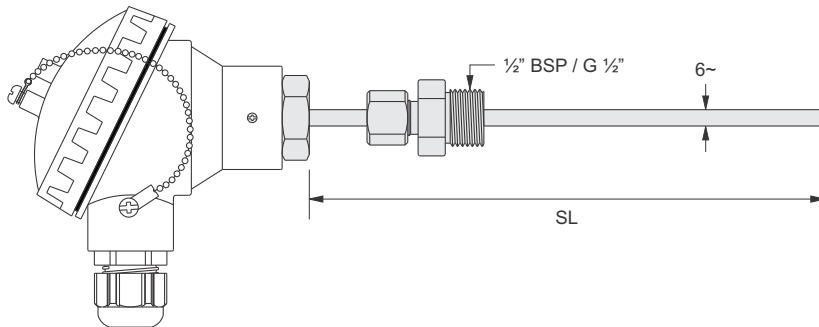
HOW TO ORDER

TAA532 - S - K - 300 - X



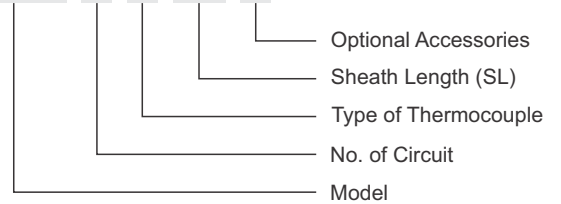
MODEL : TAA536

WITH ADJUSTABLE COMPRESSION FITTING



HOW TO ORDER

TAA536 - S - K - 300 - X



Use Suffix "D" in place of "S" for dual element
 Optional Accessories* : Head mounted transmitters, cables etc. Specify separately
 Abbreviations : SL - Sheath Length

All dimensions are in mm, unless otherwise specified.