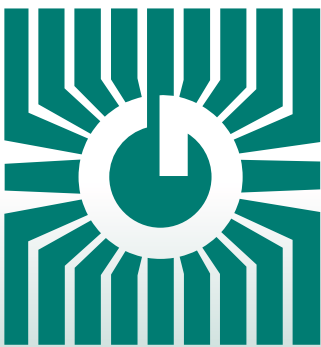


GREYSTONE ENERGY SYSTEMS INC



ROOM HUMIDITY/ TEMPERATURE TRANSMITTER HTRC Series



Precision humidity/temperature control/sensing

FEATURES:

- Highly stable RH sensor element
- Humidity range: 0-100%
- Accuracy available 2%, 3%, & 5%
- Choice of precision temperature sensors
- LCD display available
- Optional override, setpoint & fan speed control
- Field selectable outputs
- Custom logo available

*Peace of mind
through reliable
humidity/temperature
monitoring*

GREYSTONE HAS AN **ISO 9001** REGISTERED QUALITY SYSTEM

DESCRIPTION:

The HTRC Humidity/Temperature transmitter incorporates two sensors in one attractive wall mount enclosure for the most efficient environmental monitoring and control system. It uses a field-proven RH sensor to monitor relative humidity and a curve-matched thermistor to measure temperature and provides two analog outputs of either 4-20 mA, 0-5Vdc or 0-10 Vdc .

Additional options include an occupancy override button, a communication jack, a fan speed switch or a LCD display.

SPECIFICATIONS:

RH Sensor.....	Thermoset polymer based capacitive
Accuracy.....	±2, 3 or 5% RH from 5 to 95% RH
Range.....	0 to 100% RH non-condensing
Temperature Compensation	0° to 50°C (32°-122°F)
Hysteresis	± 3% RH
Response Time.....	15 seconds typical
Stability	±1.2% RH typical @ 50% RH in 5 years
Offset	±20% RH, programmable
Temperature Sensor.....	Curve-matched thermistor
Accuracy.....	±0.2°C (±0.4°F)
Range.....	0° to 35°C (32° to 95°F) or 0° to 50°C (32° to 122°F), programmable
Power Supply	24 Vac/dc ±10% (non-isolated half-wave rectified)
Consumption	60 mA max @ 24 Vdc
Input Voltage Effect	Negligible over specified operating range
Output Signal.....	4-20 mA active (sourcing), 0-5 Vdc or 0-10 Vdc
Output Drive @24 Vdc	550 ohm max. for current, 10K ohms min. for voltage
Output Resolution	10 bit PWM
Protection Circuitry.....	Reverse voltage protected and output limited
Operating Conditions	0° to 50°C (32°-122°F), 0-95% RH non-condensing
Programming/Selection	Via intenal push buttons and on-screen menu
Wiring Connections.....	Screw terminal block (14 to 22 AWG)
Enclosure Size.....	84mmW x 119mmH x 29mmD (3.3" x 4.7" x 1.15")

OPTIONS:

LCD DISPLAY

Range.....	00.0 to 99.9, 3 digit
Symbols	°C, °F, %RH
Display Size.....	38.1 x 16.5 mm (1.5" x 0.65")
Digit Height	11.43 mm (0.45")
Backlight.....	Enable/disable via menu

OVERRIDE

Type.....	Front panel, momentary push-button, 2 wire dry contact
Switch ratings	N.O., SPST, 50 mA @12 Vdc

FAN SPEED SWITCH

Type.....	Side panel mount, 5 position switch
Range.....	Off, Auto, Low, Medium, High
Signal	Resistance: 0, 2, 4, 6, 8 KΩ (Custom ranges available)

NETWORK COMMUNICATIONS

3.5mm phono jack.....	Ring/Mid/Tip connections to a 3-pin terminal block
-----------------------	--

PRODUCT ORDERING INFORMATION:

MODEL	Product Description
HTRC	Room Humidity/Temperature Transmitter

CODE	RH Accuracy
2	2 %
3	3 %
5	5 %

CODE	LCD Display
N	Concealed
L	Viewable

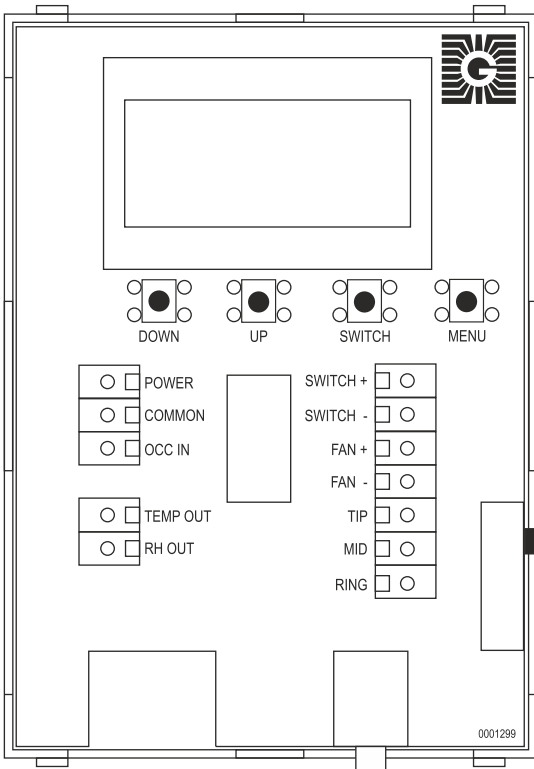
CODE	Output
I	4-20 mA
V	0-5 Vdc or 0-10 Vdc (Jumper selectable)

CODE	Options (Multiple selections may be made)
S	Override switch (Includes occupied input)
J	Communication jack (3.5 mm phono)
F	Fan speed switch

HTRC	3	N	I	-	-	← Typical Model Number
------	---	---	---	---	---	------------------------

Greystone Energy Systems, Inc. reserves the right to make design modifications without prior notice.

PCB/WIRING INFORMATION



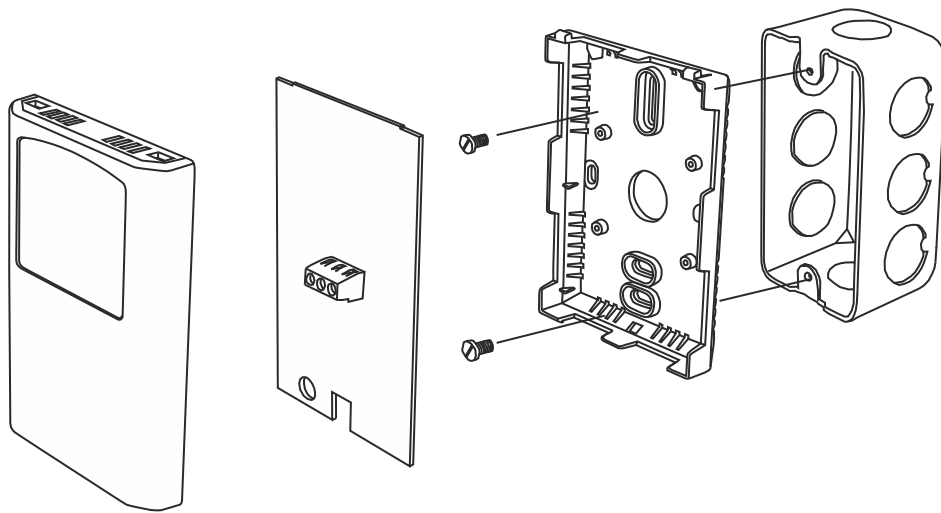
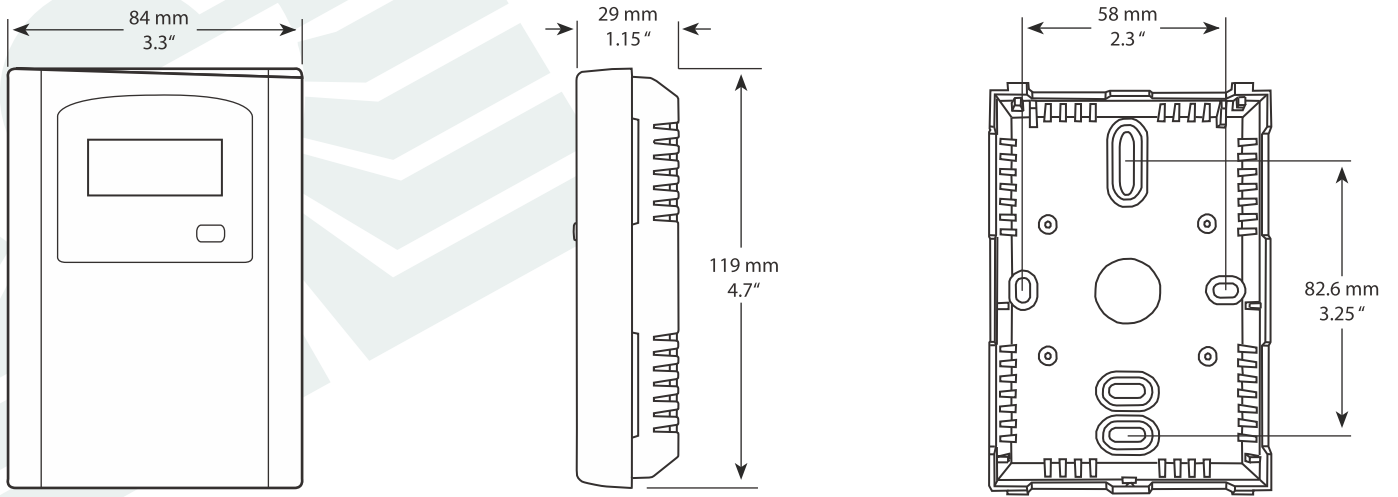
Terminal	Function
POWER	From +24 Vac/dc of controller or power supply
COMMON	To GND or COMMON of controller
OCC IN	To digital output of controller
TEMP Output	To analog input of controller 4-20 mA or 0-5 Vdc or 0-10 Vdc
RH Output	To analog input of controller 4-20 mA or 0-5 Vdc or 0-10 Vdc
SWITCH +	To digital input of controller
SWITCH -	To GND or COMMON of controller
FAN +	To analog input of controller Resistance input
FAN -	To GND or COMMON of controller
TIP	External Jack TIP (tip of plug) connection
MID	External Jack MID (middle of plug) connection
RING	External Jack RING (base of plug) connection

* Some models do not have all these features

**To save on number of connection wires, all GND or COMMON may be connected together.

***Illustration shows standard wiring configuration. Custom configurations are available. Please contact Greystone.

DIMENSIONS:



Greystone Energy Systems, Inc. reserves the right to make design modifications without prior notice.