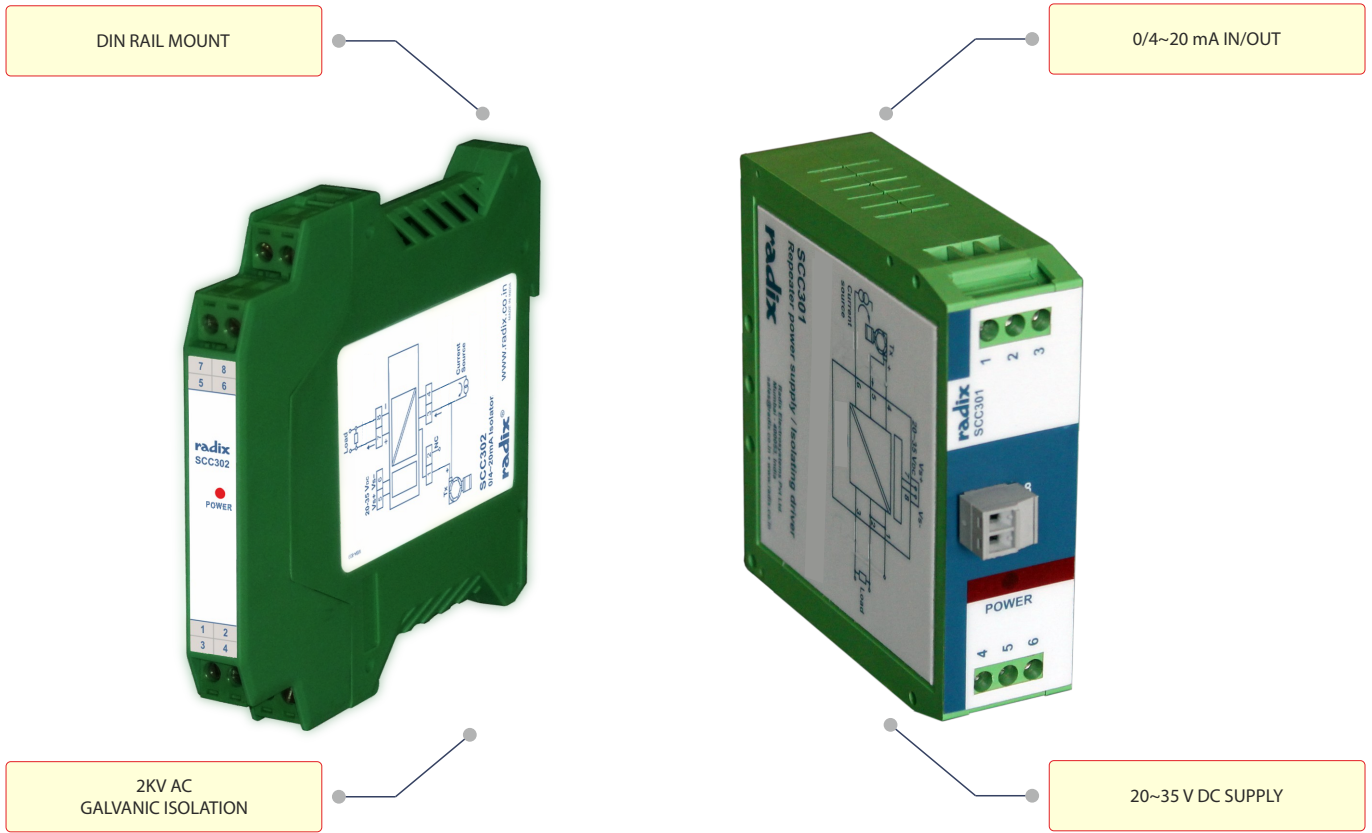


0/4~20mA ISOLATOR



ABOUT SCC30X

SCC301 and SCC302 are dual purpose, current-to-current converters with 3-port isolation. Each provides a fully floating, isolated DC supply for energising a conventional 2 or 3-wire 0/4~20mA transmitter/ smart transmitter and repeats the current in another isolated circuit or accepts a 0/4~20mA signal from a controller/source to drive loads up to 500Ω. A 20~35VDC power supply is required for operation.

FEATURES

- 0/4~20 mA IN/OUT
- 2000VAC RMS galvanic isolation between supply, input & output
- Accuracy : ±0.1% of span (±20 μA)
- 0~500 ohms load resistance
- Excitation supply for 2-wire transmitter
- Din rail mount
- 20~35 V DC supply

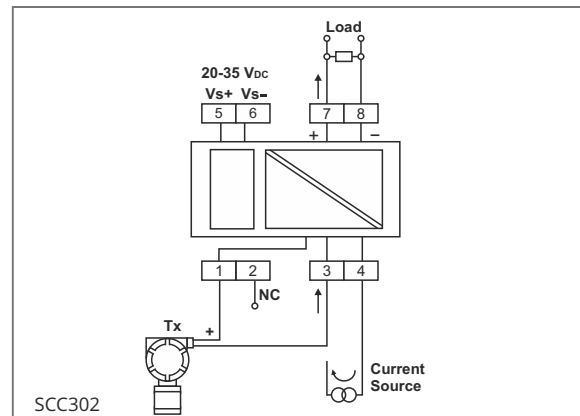
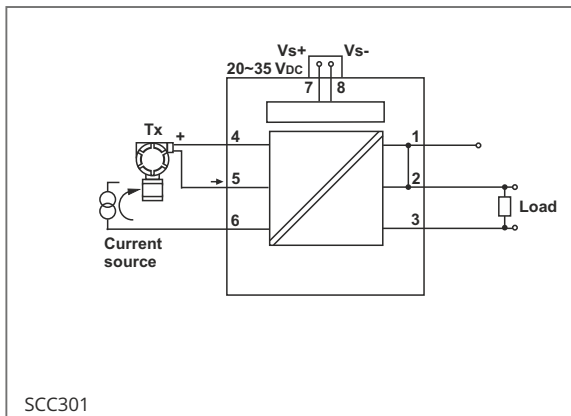
0/4~20mA ISOLATOR

SPECIFICATIONS

All specifications at ambient of 25 °C, unless specified otherwise

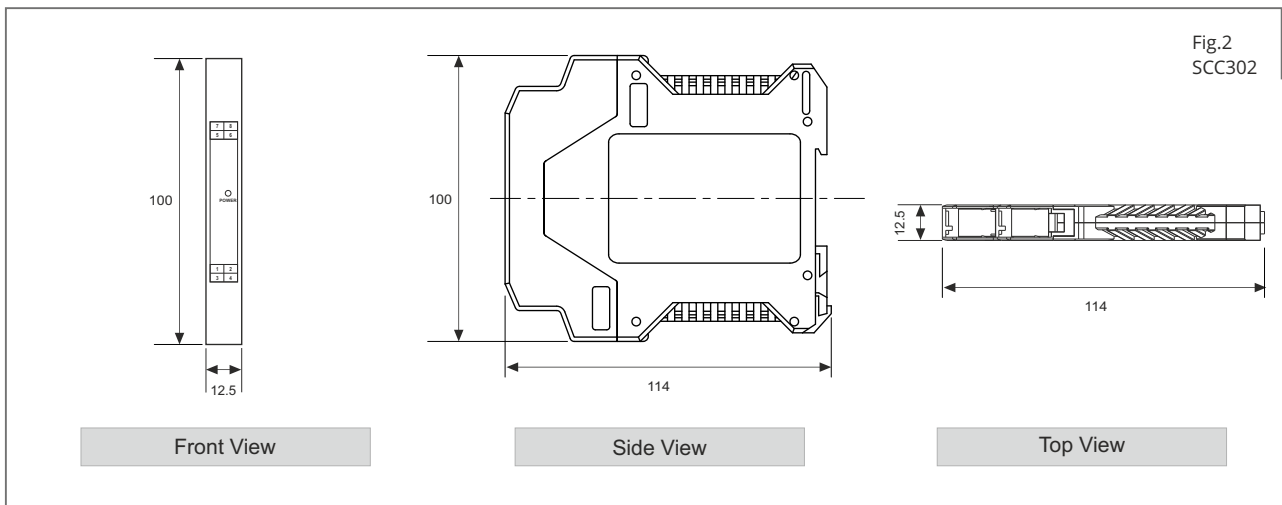
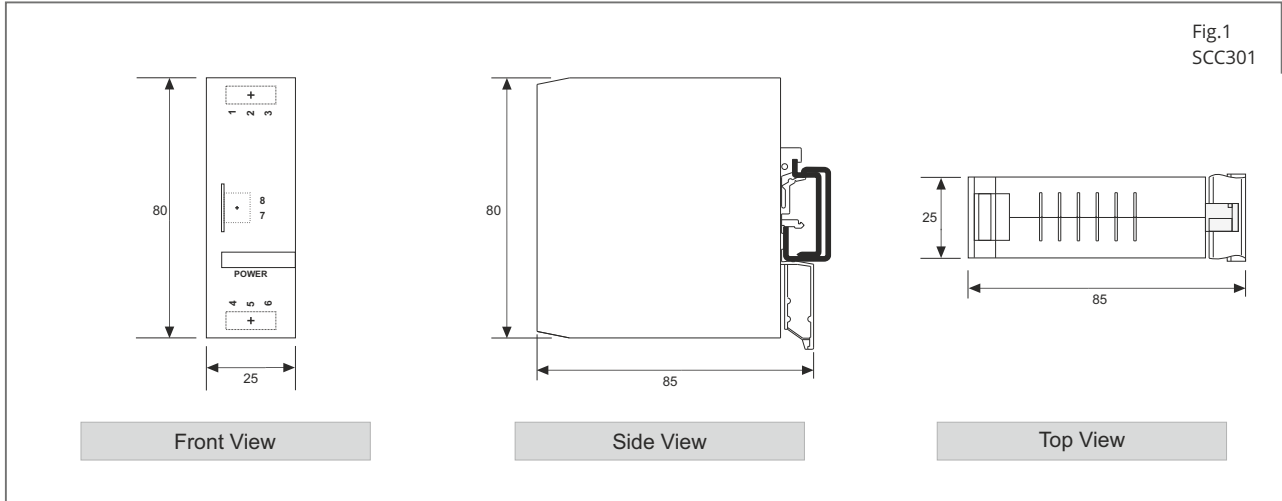
<p>INPUT, OUTPUT</p> <p>Number of channels One</p> <p>Input and output signal 0~20 mA / 4~20 mA</p> <p>Maximum load resistance Conventional transmitters/drivers 500Ω Smart transmitters 220Ω to 400Ω</p> <p>Voltage drop across input from current source <0.5V</p>		<p>OTHER</p> <p>LED indicator 1 red LED indicating POWER ON</p> <p>Transmitter supply 20 V minimum at 20 mA</p>	
<p>ACCURACY</p> <p>Transfer accuracy at 25 °C (including non-linearity and hysteresis) ±0.1% of span (±20 μA)</p> <p>Temperature effect on accuracy <1 μA / °C</p> <p>Response time 10 ms (to reach 90% of span)</p>		<p>ENCLOSURE</p> <p>SCC301</p> <p>Material ABS plastic</p> <p>Dimensions 80(H) x 25(W) x 85(D) mm See Fig.1</p> <p>Mounting Snap on for 35 mm DIN rail to DIN 46277</p> <p>Connection, single/ stranded ≤ 2.5 mm², AWG 14 wires</p> <p>Weight Approx. 200 grams</p> <p>Protection IP20</p>	
<p>ISOLATION</p> <p>Isolation (mutual, between power supply, input and output) 2000 VAC RMS</p>		<p>SCC302</p> <p>Material Nylon 6 (PA66)</p> <p>Dimensions 100(H) x 12.5(W) x 114(D) mm See Fig.2</p> <p>Mounting Snap on for 35 mm DIN rail to DIN 46277</p> <p>Connection, single/ stranded ≤ 2.5 mm², AWG 14 wires</p> <p>Weight Approx. 90 grams</p> <p>Protection IP20</p>	
<p>POWER SUPPLY</p> <p>Supply voltage 20~35 V DC</p> <p>Power requirement (supplying a transmitter) 135mA max at 20V with a 20mA signal 95mA max at 35 V with a 20mA signal</p> <p>Power requirement (current source input) 90mA max at 20V with a 20mA signal 65mA max at 35 V with a 20mA signal</p>		<p>ENVIRONMENTAL CONDITIONS</p> <p>Ambient, storage -40 ~ +80 °C</p> <p>Ambient, operation -20 ~ +55 °C</p> <p>Relative humidity 5 ~ 95%</p>	

ELECTRICAL CONNECTIONS



0/4~20mA ISOLATOR

DIMENSIONS (in mm)



ORDERING INFORMATION

Product code	2858		SCC301
	2859		SCC302
Test & calibration Report		0	No #
		1	Yes *

Certificate Of Conformance is included

* Chargeable

ENQUIRIES

Instruments: sales@radix.co.in
Sensors: sensors@radix.co.in
Gauges: gauges@radix.co.in
Automation: automation@radix.co.in
Level: level@radix.co.in

RADIX ELECTROSYSTEMS PVT LTD
 EL-135/136/137, Electronics Zone
 TTC Indl. Area, MIDC, Mahape
 Navi Mumbai - 400 710, India
 + 91 22 42537777 · sales@radix.co.in