

PID CONTROLLER

72x72x85mm, MID RANGE

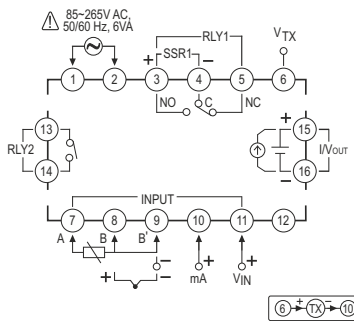


SPECIFICATIONS

All specifications at ambient of 25 °C unless specified otherwise

INPUTS Input Thermocouple RTD Voltage Current Sampling time Accuracy Warm up time for specified accuracy Cold junction compensation		B, E, J, K, N, R, S, T Pt100, 3-wire 0-10 V 0-20mA, 4-20mA 200 ms Thermocouple : ± 0.25% of FS ±1 °C Pt100 : ± 0.05% of FS ±1 °C Linear inputs : ±0.25% of FS ±1 digit 30 minutes Automatic	INDICATION Upper 0.64" / 16.3 mm Lower 0.35" / 9 mm	
OUTPUTS No. of setpoints No. of relays Relay contact type Relay contact rating SSR drive No. of analog outputs Current output Maximum load for current output Voltage output Load for voltage output		2SP (Relay in control) 3SP (Analog output in control) 2 NO-C-NC (Relay1), NO-C (Relay2) 7A/250 V AC (Relay1) 5A/250 V AC (Relay2) 12 V DC drive signal for external SSR 0 / 1 4-20 mA / 0-20 mA / 20-4 mA / 20-0 mA isolated from input 500 ohms 0-10 V / user specified >10 Kohms	POWER SUPPLY Supply voltage a) 85-265 V AC, 50/60 Hz b) 20-30 V DC	
		ISOLATION Mutual isolation between input, output, supply, relays 1500 VAC rms, 50Hz / 1 minute		
		ENCLOSURE Mounting Terminals Housing material Dimensions (in mm) Panel flush mounting M3 screw, suitable for 2.5 mm ² wire ABS plastic, grade: UL94V-0 72W x 72H x 85D mm		
		TEMPERATURE, HUMIDITY Ambient operating temperature Relative operating humidity -10 to 50 °C Below 90% RH, non-condensing		

CONNECTION DIAGRAM



ORDERING INFORMATIONS

Standard Order Codes *

Product code	2860					
Supply voltage	1					85-265 V AC, 50/60 Hz
	2					20-30 V DC
No. of relays		0				None
		1				1 Relay (NO1-C1-NC1)
		2				2 Relays (NO1-C1-NC1, NO2-C2)
Analog output			0			None
			1			4-20 mA
			2			0-10 V
Fixed value				1		
Test & calibration Report					1	No#
					2	Yes**

* Contact sales for SSR drive outputs

Certificate Of Conformance is included

** Chargeable

CAT#730R0/A

ENQUIRIES : 3', 12 Digit, HH:MM:SS, DD:MM:YY, 420x205x22mm

Instruments: sales@radix.co.in
 Sensors: sensors@radix.co.in
 Gauges: gauges@radix.co.in
 Automation: automation@radix.co.in
 Level: level@radix.co.in

RADIX ELECTROSYSTEMS PVT LTD
 EL-135/136/137, Electronics Zone
 TTC Indl. Area, MIDC, Mahape
 Navi Mumbai - 400 710, India
 + 91 22 42537777 · sales@radix.co.in

radix®
 www.radix.co.in