

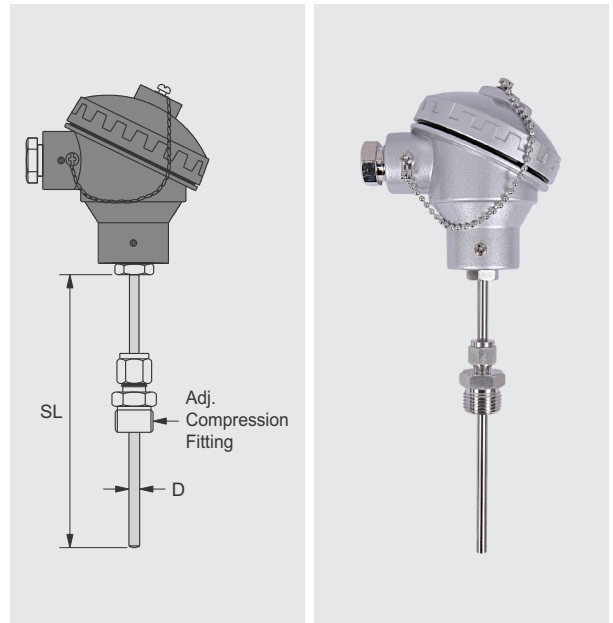
RTD WITH TERMINAL HEAD

MODEL : RHW216 (ADJUSTABLE FITTING)

- Non-bendable sheath
- 50 to 250°C range
- Standard Lengths are 100, 150, 200 & 300mm longer assemblies not recommended
- Termination : Aluminium head with threaded cap and chain with single compression cable gland
- Elements are terminated in head mounted transmitter
- Different type of terminal heads, Dual cable entries & special glands are optional

SPECIFICATIONS

	RHW216
Element	Pt-100, 3-wire
Accuracy	Class A / Higher
Range	-50 to 250°C
Insulation	MgO
Sheath material	SS316L
Sheath Diameter	6mm (standard) / 8 mm
Sheath length	Upto 300 mm
Termination	W.P die-cast aluminum head with threaded cap & chain, single cable entry (W3)
Cable gland	1/2" BSP, Single compression
Process connection	1/2" BSP, Adjustable compression fitting



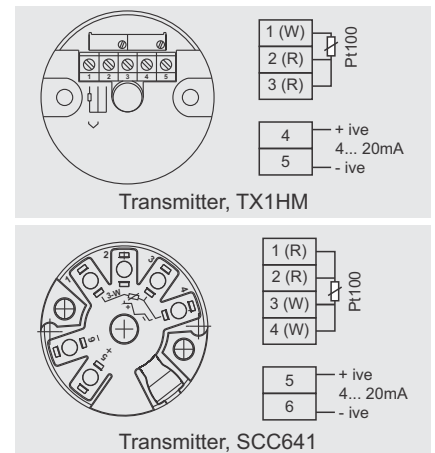
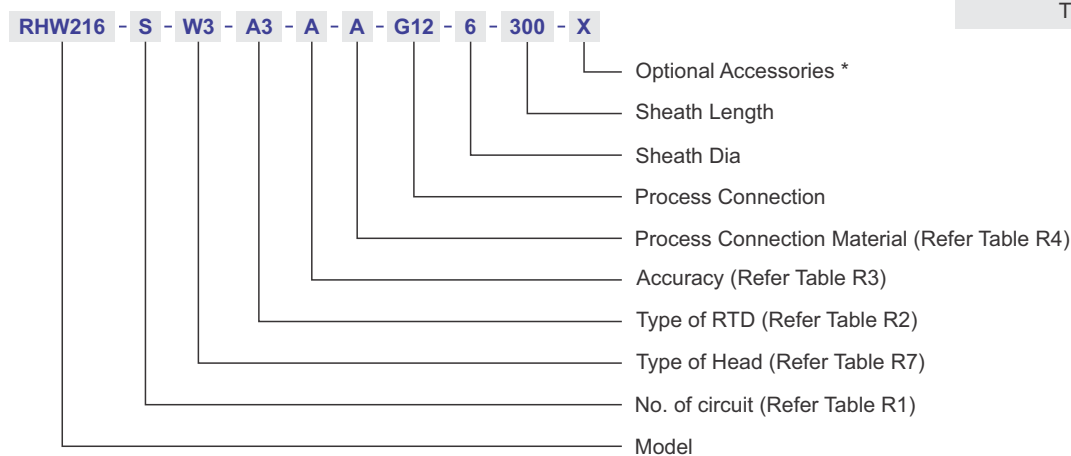
MODELS

- RHW216-S (Single element)
- RHW216-D (Dual element)

OPTIONAL

- Pt-50 / 200 / 500 / 1000 calibration
- 2-wire / 4-wire configuration
- Other termination heads
- Dual cable entry
- Elements are terminated into nickel plated brass terminals mounted on high purity ceramic terminal block (refer model RHW206)
- Connection cables
- Mineral insulated thermocouple (refer model RHW50 series)
- Flameproof termination head (refer model RHX20 / RHX50)

HOW TO ORDER



Optional Accessories* : Cable glands, cables etc. Specify separately

Abbreviations : D - Sheath Dia, SL - Sheath Length, EL - Extension Length, PCL - Process connection length, PC - Process Connection

All dimensions are in mm, unless otherwise specified.

NO. OF CIRCUIT

TABLE R1

CODE	TYPE
S	Single element
D	Dual element

TYPE OF RTD

TABLE R2

CODE	CONNECTION
A2	Pt100, 2 wire
A3	Pt100, 3 wire
A4	Pt100, 4 wire
P500	Pt500, 2 wire
P1000	Pt1000, 3 wire

ACCURACY

TABLE R3

CODE	TYPE
A	Class A (1/2 DIN)
Y	Class AA (1/3 DIN)
K	Class 1/5 (DIN)
B	Class B (DIN)

PC MATERIAL

TABLE R4

CODE	TRI-CLOVER SIZE
12	1/2"
19	3/4"
25	1"
50	2"
63	2.5"
75	3"

OPTIONAL ACCESSORY

TABLE R5

CODE	ITEM
A	Head mounted transmitter Model - TX1HM
B	Head mounted transmitter Model - SCC 641
P12	Polyamide gland, 1/2"NPT
N12	Brass, 1/2"NPT double compression gland

FLANGE

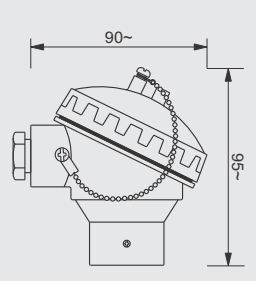
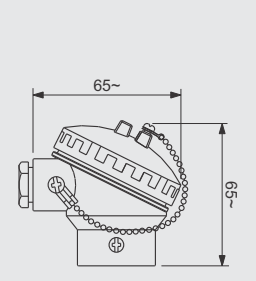
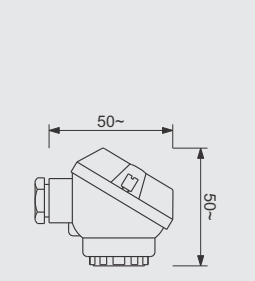
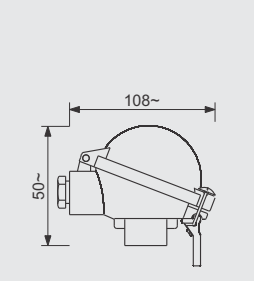
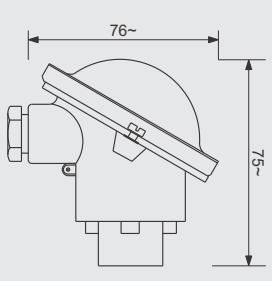
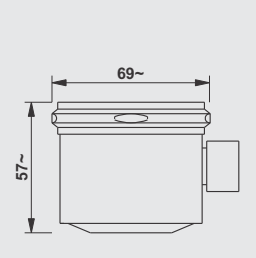
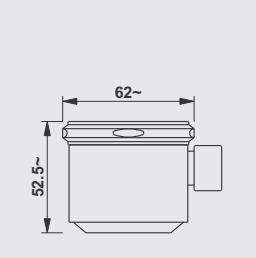
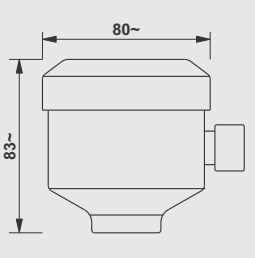
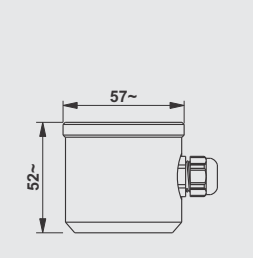
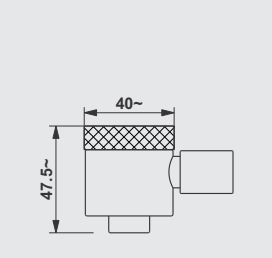
TABLE R6

CODE	DIMENSION				
	THICKNESS	OD	PCD	NO OF HOLE	HOLD DIA
L70*	10	88.5	70	2	10
25A1	14.3	108	79.4	4	16
10A1	11.2	89	60.3	4	16
20A1	11.2	98	69.8	4	16
40A1	17.5	127	98.4	4	16
50A1	19.1	152	121	4	22
80A1	23.9	191	152	4	19

L70* is in oval shape

TERMINAL HEADS

TABLE R7

				
W3 ALUMINUM	W5* ALUMINUM	W4* ALUMINUM	W9 ALUMINUM	W8 ALUMINUM
				
S7 SS304	S5 SS304	S8 SS304	S6 SS304	S1* SS316

* Head mounted transmitter not offered

All dimensions are in mm, unless otherwise specified.