

# HOMOGENIZER SEAL GAUGES

# HMG201



**Better Accuracy  
Over The Range**



**Process Connection  
Flush Diaphragm**



**Robust, All Welded  
Design**



**For High Dynamic  
Pressures - 160 Bar ~ 700 Bar**



**Complies with Sanitary  
Requirement**

## ABOUT HMG201

Homogenizer seals are used for the protection of pressure measuring instruments in applications with difficult media. In Homogenizer seal systems, the diaphragm of the seal separates the instrument and the medium. The pressure is transmitted to the measuring instrument via the system fill fluid which is inside the diaphragm seal system. For the implementation of demanding customer applications, there are a wide variety of designs, materials and system fill fluids available.

The model HMG201 diaphragm seal is a special development for homogeniser machines in sanitary applications. This diaphragm seal is available with process connections in various designs and is thus suitable for all common measuring points. The diaphragm seal systems ensure reliable measurements, even with high loading through vibrations and pressure spikes. Mounting of the diaphragm seal to the measuring instrument can be made through a direct connection or a flexible capillary.

## APPLICATIONS

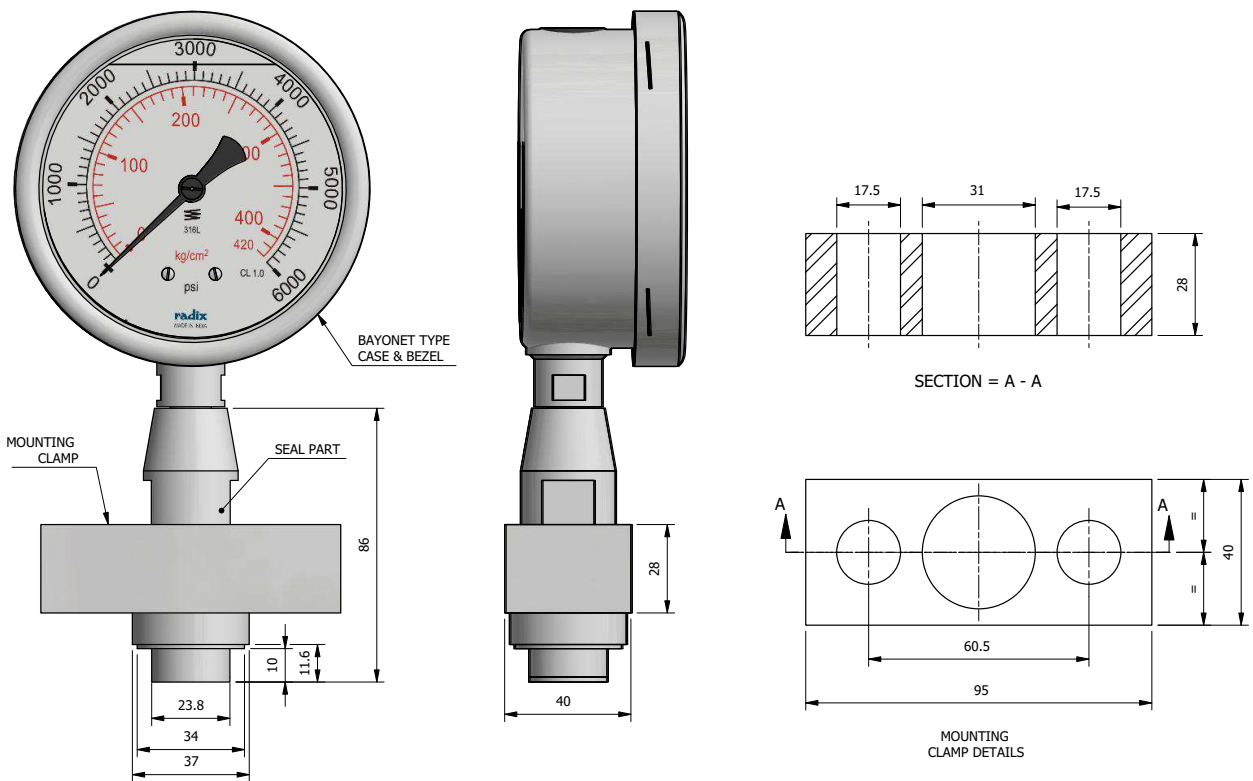
- Homogeniser machines for milk, beverages, cosmetics and pharmaceutical preparations
- Machines for making of emulsions
- Ice cream
- Sterilization
- Food industries

## SPECIFICATIONS

Mounting	a) Direct bottom b) Remote with capillary
Process connection	With flush flange
Dial size	DN100 / DN150
Accuracy	±1.6% of FS
Scale range	0 to 160 Bar, 0 to 250 Bar, 0 to 400 Bar, 0 to 700 Bar
Working pressure	Steady : 75% of FSD, Fluctuating : 50% of FSD, Short Time : FSD
Working temperature range	Ambient : -40 to 60°C without liquid filling, -20 to 60°C with glycerine filling Medium : 80°C max
Temperature effect (Reference temperature, 30 °C)	Max. ±0.4% / 10K of realtime value
Primary sensing element	Diaphragm, SS316L
Secondary sensing element	Bourdon tube, SS316L
Diaphragm housing	SS304 / SS316
Seal fluid	Silicon Oil
Dial	Off-white aluminum with pointer stop pin, with black / red lettering
Pointer	Black aluminum, zero-adjustment pointer
Ingress protection	IP68
Process connection	With mounting clamp
Dampening liquid	Glycerine

## DIMENSIONS mm

Fig 1



# HOMOGENIZER SEAL GAUGES

# HMG201

## FEATURES SUMMARY

- Process connection with flush, all welded
- Diaphragm, with or without retainer flange
- For highest dynamic pressures 160 bar up to 700 bar
- Robust, all welded design

## ORDERING INFORMATION

CODE	SPECIFICATIONS	1	2	3	4	5	6
<b>3020</b>							
<b>1</b>	<b>Range (bar)</b>						
	0 - 160	G1					
	0 - 250	G2					
	0 - 400	G3					
	0 - 700	G4					
<b>2</b>	<b>Mounting</b>						
	Direct bottom		D				
	Remote with capillary		R				
<b>3</b>	<b>Case Filling</b>						
	Glycerine			G			
	Silicon			S			
	None			N			
<b>4</b>	<b>Dial Size</b>						
	4" (100 mm)				4		
	6" (150 mm)				6		
<b>5</b>	<b>Unit</b>						
	kg/cm <sup>2</sup>					K	
	bar					B	
<b>6</b>	<b>Process Connection</b>						
	With retaining clamp						RC
	Customised process connection						CP
	Without clamp						NA

CODE -1-2-3-4-5-6

Order Code Format : XXXX-X-X-X-X-X-X

### Example

HMG201, 0-400 bar with direct bottom mounting with 4" dial glycerine filled  
3020-G3-D-G-4-B-NA

### ENQUIRIES

Instruments: sales@radix.co.in • + 91 9324934061  
Sensors: sensors@radix.co.in • + 91 9321415829  
Gauges: gauges@radix.co.in • + 91 8591305907  
Automation: automation@radix.co.in • + 91 9320997925  
Level: level@radix.co.in • + 91 8591305907  
Flow: flow@radix.co.in • + 91 8591305907

**RADIX ELECTROSYSTEMS PVT LTD**  
EL-225, Electronics Zone, TTC Indl. Area, MIDC, Mahape  
Navi Mumbai - 400 710, India  
+ 91 8591305907 • gauges@radix.co.in

CAT#824F0/A